



E-TRIGON

Power Column with Integrated Cable Management
User Guide

⚠ PLEASE READ BEFORE USE

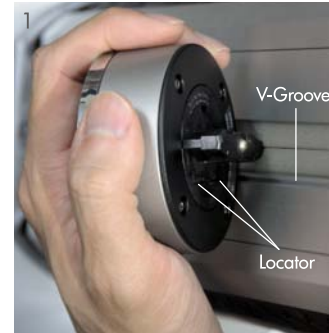


Do not slide along the track.

Keep away from fire. Not for outdoor use.

Keep away from water.

Directions For Use



1 Always align Locator to V-Groove before inserting adaptors/accessories.



2 Insert plug and turn clockwise to engage power.

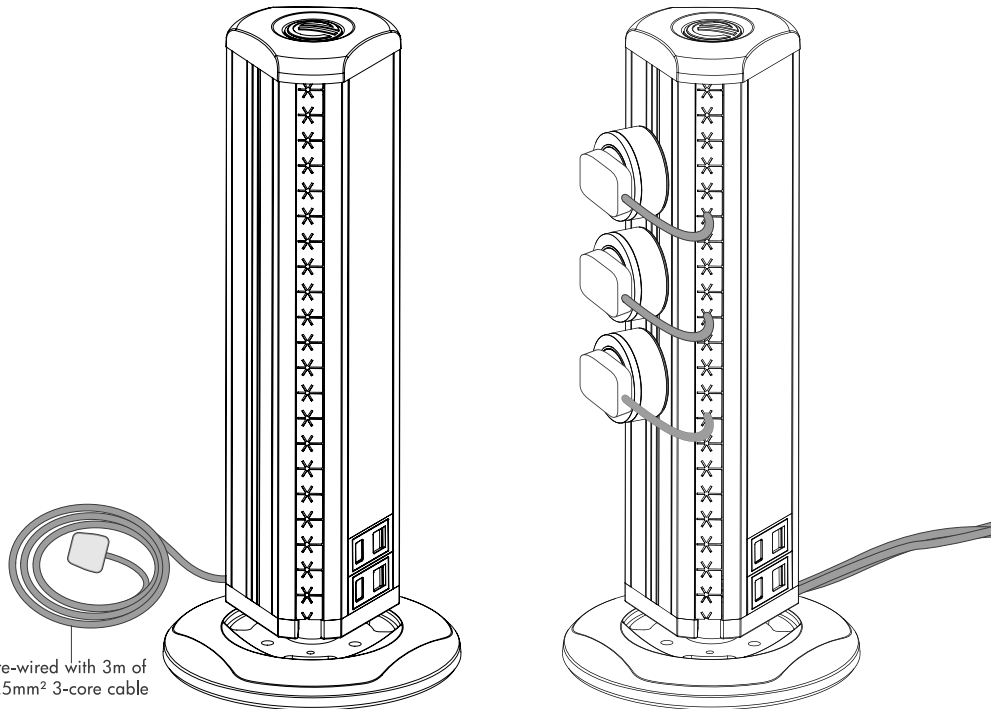


3 Tuck the excess cable length into the cable management compartment.



4 Flexible, customisable cable management.

Product Overview



Pre-wired with 3m of
1.5mm² 3-core cable

Installation of Data Points



1 Allow E-Trigon to lie on its side.



2 Using a screwdriver, detach data socket housings from the main housing.



3 Slot the data cable in through the cable management compartment and insert the cable firmly into the rear of the data jack until it clicks.



4 Snap the data socket housings onto the main housing. Data points are now ready for use.

Technical Specification

Rated Voltage	: 250 V a.c. Single-phase
Rated Current	: 13 Amp / 16 Amp maximum
Frequency	: 50Hz / 60Hz
Rated Impulse Withstand Voltage	: 4000 V a.c.
Connection of Adaptor or Top-off Unit	: Intended to be connected and disconnected when system is energised and with a load connected
Terminal Connecting Capacity	
Live, Neutral & Earth	: Rigid 2.5mm ² to 6mm ² Flexible 1.25mm ² to 2.5mm ² (16Amp)
Ambient Operating Temperature	: -5°C to 55°C (not to exceed an average of more than 35°C in any 24 hours period)
Maximum Installation Altitude	: 2000 meters
Resistance to Impact	: Heavy Impact
Degree of Protection	: IP4X
Degree of Pollution	: 2 (Non-conductive pollution with temporary conductivity caused by condensation)
Track Material	: Aluminum
Insulation Material	: Polycarbonate
Dimension (Diameter x Height)	: Ø220mm x 500mm
Weight	: Estimated 2.5kg

* All brand names and trademarks belong to their respective owners.

* Product specification is subject to change without prior notice.

* Pictures shown in this guide are for illustrative purposes only. Actual product outlook may differ.

3 Years Limited Warranty

1. Eubiq Pte Ltd ("Eubiq") warrants to the end-user of the product ("the Customer") that the product will be free from defects in materials and workmanship under normal use for a period of three (3) years from the date of retail purchase by the original end-user purchaser ("Warranty Period").

2. The Customer should access and refer to Eubiq's website at www.eubiq.com for a list of Eubiq authorised dealers to contact for warranty service.

3. All requests for warranty service must be made within the Warranty Period, and be accompanied by the original dated proof of purchase.

ALL RIGHTS RESERVED. EUBIQ AND GSS ARE THE REGISTERED TRADEMARKS OF EUBIQ PTE LTD.