



E-GENESIS 1

Power Track with Integrated Cable Management (Pre-Wired)
Installation Guide

CAUTION

- Keep away from fire.
- Keep away from water.
- Not for outdoor use.
- To be installed by a qualified electrician/installer.

PLEASE READ BEFORE INSTALLING

INSTALLING PARTY
All Power Tracks must be installed by a qualified electrician.

USE OF EARTH LEAKAGE CIRCUIT BREAKER(ELCB)
It is a mandatory requirement that all installations of electrical power source must be connected to an ELCB to provide protection against overload, short circuits and earth leakages faults. Failure to comply can be hazardous.

INSTALLATION LOCATION
All Power Tracks must be installed at location that complies with safety rules and regulations of respective country.

INSTALLATION SURFACE
All Power Tracks must be installed on flat surface.

RECOMMENDED INSTALLATION CLEARANCE
Refer to FIG.1 & 2 on the right for more information on the minimum clearance (from the floor or any furniture fixtures) required for 'twist-on' adaptors and accessories.

Minimum Clearance for E-GENESIS 1 Installation

FIG. 1

Minimum clearance of 25mm from the bottom required.

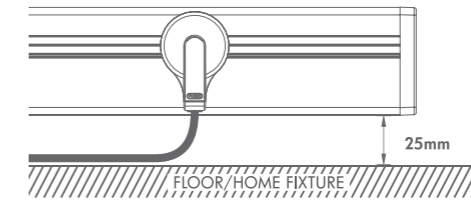
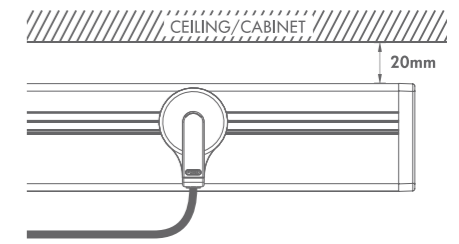


FIG. 2

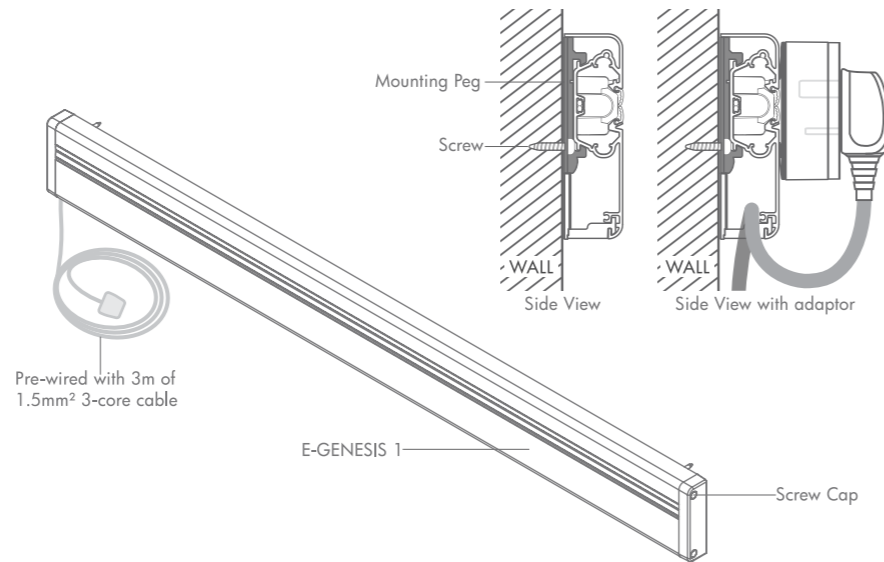
Minimum clearance of 20mm from the top required.



Technical Specifications

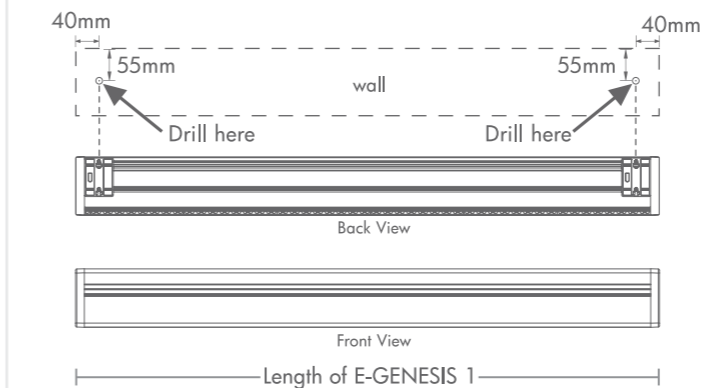
| | |
|--|--|
| Rated Voltage | : 250 V a.c. Single-phase |
| Rated Current | : 13 / 16 Amp maximum |
| Frequency | : 50Hz / 60Hz |
| Rated Impulse Withstand Voltage | : 4000 V a.c. |
| Connection of Adaptor or Tap-off Unit | : Intended to be connected and disconnected when system is energised and with a load connected |
| Terminal Connecting Capacity Live, Neutral & Earth | : Rigid 2.5mm ² to 6mm ² Flexible 1.25mm ² to 2.5mm ² (16Amp) |
| Ambient Operating Temperature | : -5°C to 45°C (not to exceed an average of more than 35°C in any 24 hours period) |
| Maximum Installation Altitude | : 2000 meters |
| Resistance to Impact | : Heavy Impact |
| Degree of Protection | : IP4X |
| Degree of Pollution | : 2 (Non-conductive pollution with temporary conductivity caused by condensation) |
| Track Material | : Aluminum |
| Insulation Material | : Polycarbonate |
| Dimension (Height x Depth) | : 100mm x 28.5mm |
| Weight | : Estimated 1.8kg (1000mm) |

Product Overview



Drilling Measurement

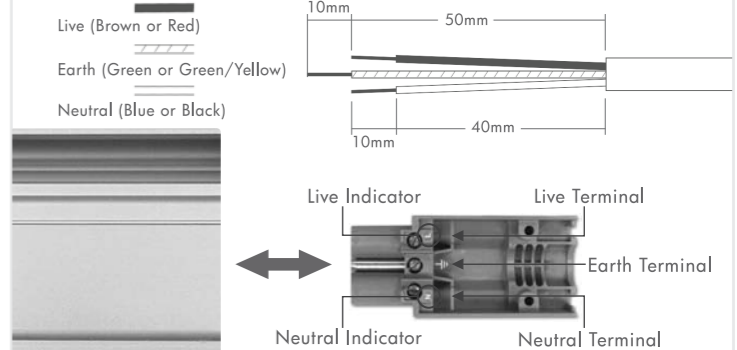
FIG. 3
Marking & Drilling Measurement Overview



Drill on the circular markings using a 5.5mm concrete drill bit (not included).

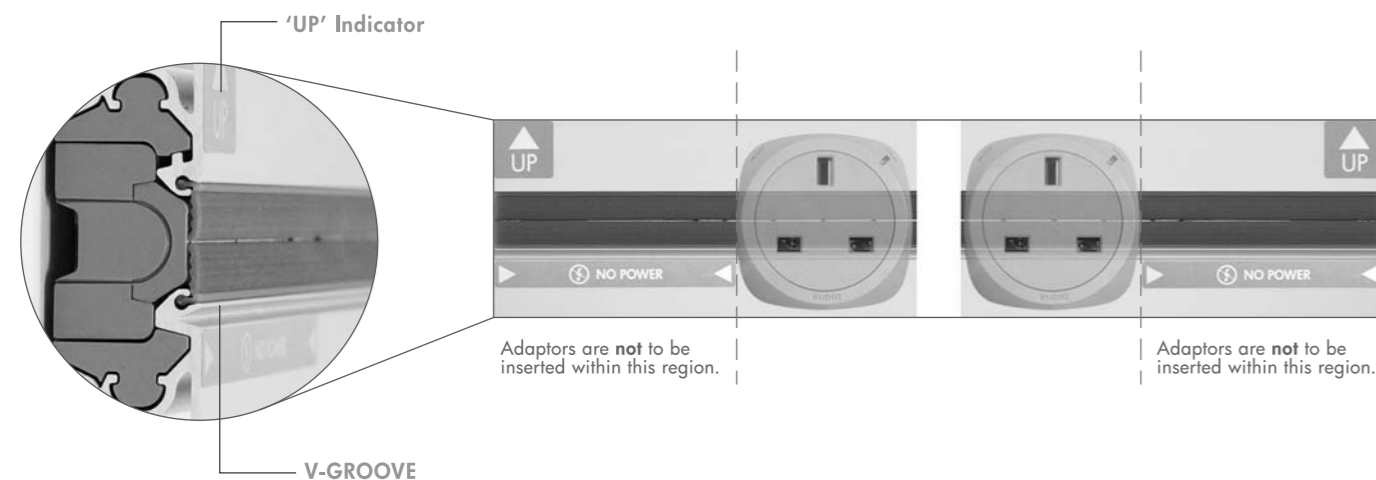
Wiring Instructions

Prepare leads as shown:



- 1) Do not perform in damp environment.
- 2) If in doubt, please consult a qualified electrician.

Product Orientation



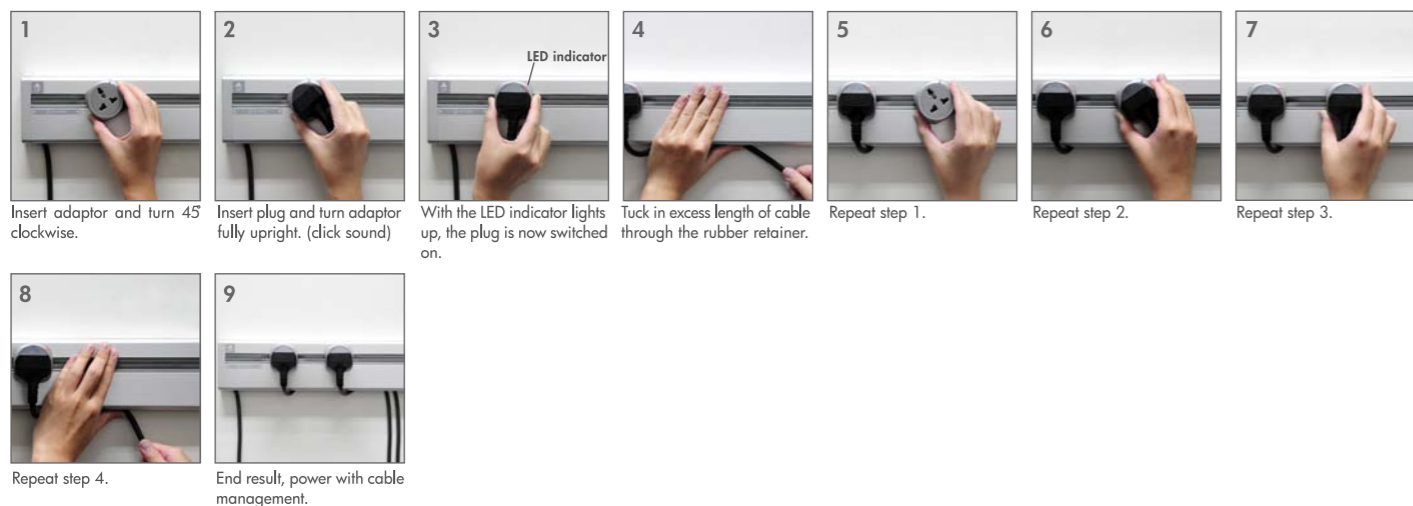
Adaptors are **not** to be inserted within this region.

Adaptors are **not** to be inserted within this region.

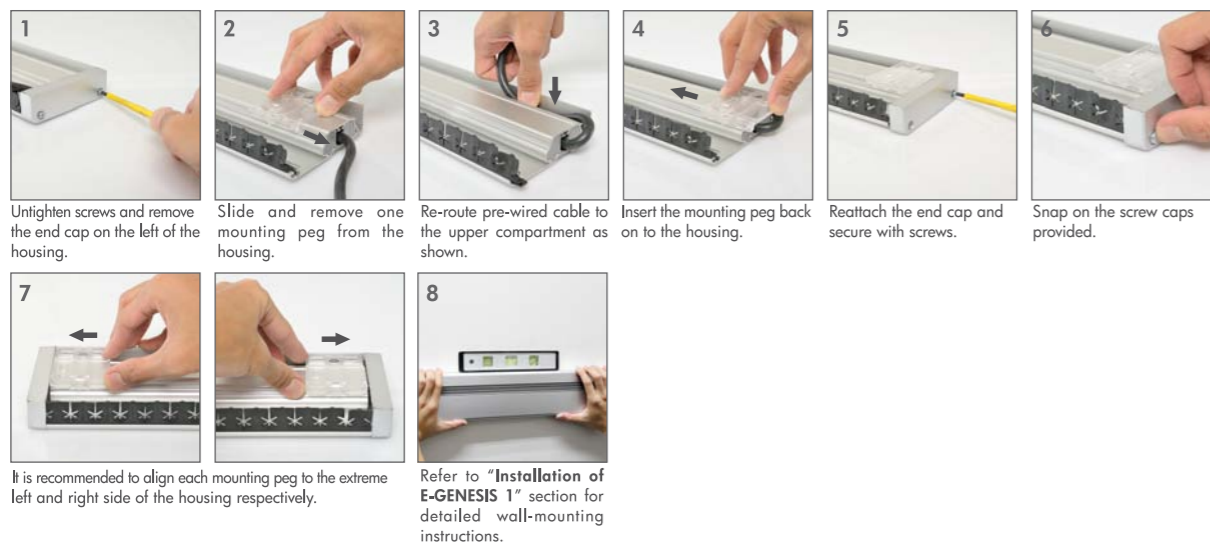
Installation of E-GENESIS 1

-
-
-
-
-
-
-
-
-
-
-

Cable Management



Optional: Re-Routing of Pre-Wired Cable



3 Years Limited Warranty

1. Eubiq Pte Ltd ("Eubiq") warrants to the end-user of the product ("the Customer") that the product will be free from defects in materials and workmanship under normal use for a period of three (3) years from the date of retail purchase by the original end-user purchaser ("Warranty Period").
2. The Customer should access and refer to Eubiq's website at www.eubiq.com for a list of Eubiq authorised dealers to contact for warranty service.
3. All requests for warranty service must be made within the Warranty Period, and be accompanied by the original dated proof of purchase.